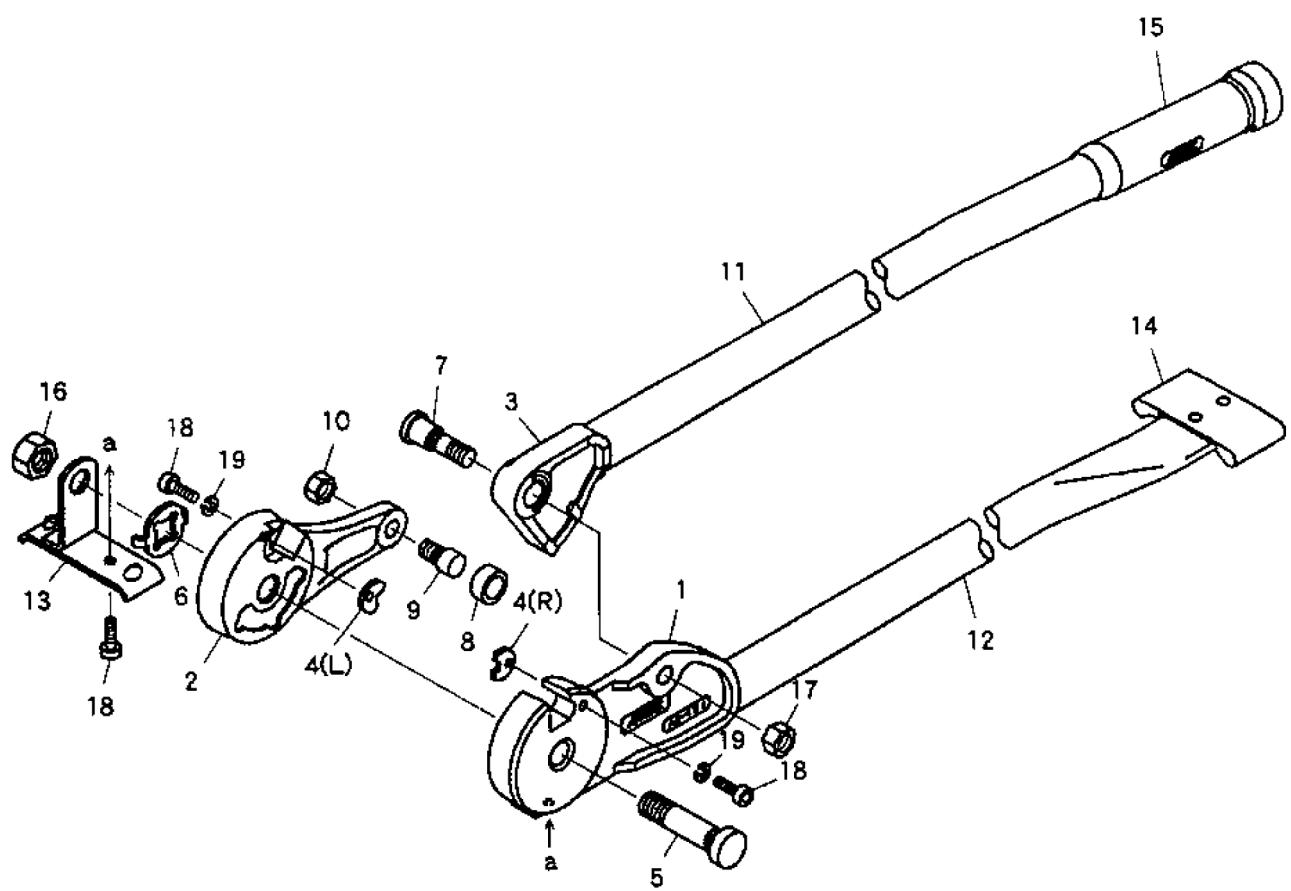


THREADED ROD CUTTERS  
 AB-3U, AB-4U



No.	Part Name
1	Frame
2	Jaw Holder
3	Handle
4	Jaw Blade (Right & Left)
5	Frame Bolt
6	Washer
7	Handle Bolt
8	Roller
9	Roller Bolt
10	Lock Nut (M11)
11	Pipe Handle
12	Base Handle
13	Base
14	Pedal
15	Grip (color:Red)
16	U-Nut
17	Spar Lock Nut
18	Bolt with Hex Hole
19	Spring Washer