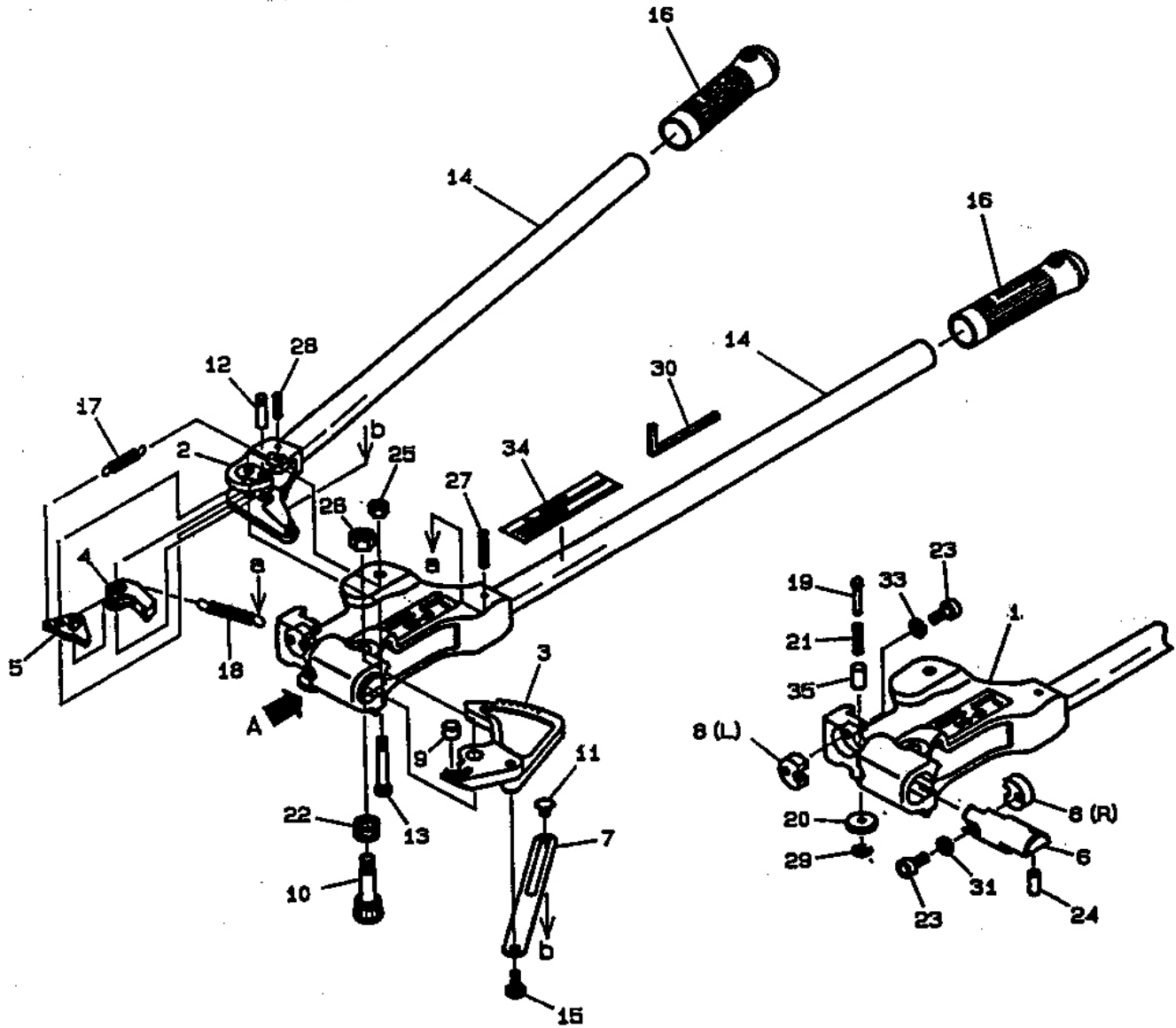


**RATCHET THREADED ROD CUTTER**  
**RAB-3W**



No.	Part Name
1	Frame
2	Handle
3	Ratchet Gear
4	Ratchet
5	Pawl
6	Chip
7	Link
8	Movable Jaw (L) , Fixed Jaw (R)
9	Roller
10	Frame Bolt
11	Link Bolt (S)
12	Knurl Pin
13	Handle Bolt
14	Pipe Handle
15	Link Bolt (L)
16	Grip (color:Black)
17	Pulled Coil Spring (1)

No.	Part Name
18	Pulled Coil Spring (2)
19	Pin
20	Knob
21	Compression Coil Spring
22	Coil Spring
23	Cap Bolt
24	Parallel Pin (A)
25	U-Nut (S)
26	U-Nut (S)
27	Spring Pin AW (φ3x28)
28	Spring Pin AW (φ3x18)
29	E-Ring
30	Spanner
33	Spring Washer
34	Warning Level
35	Collar