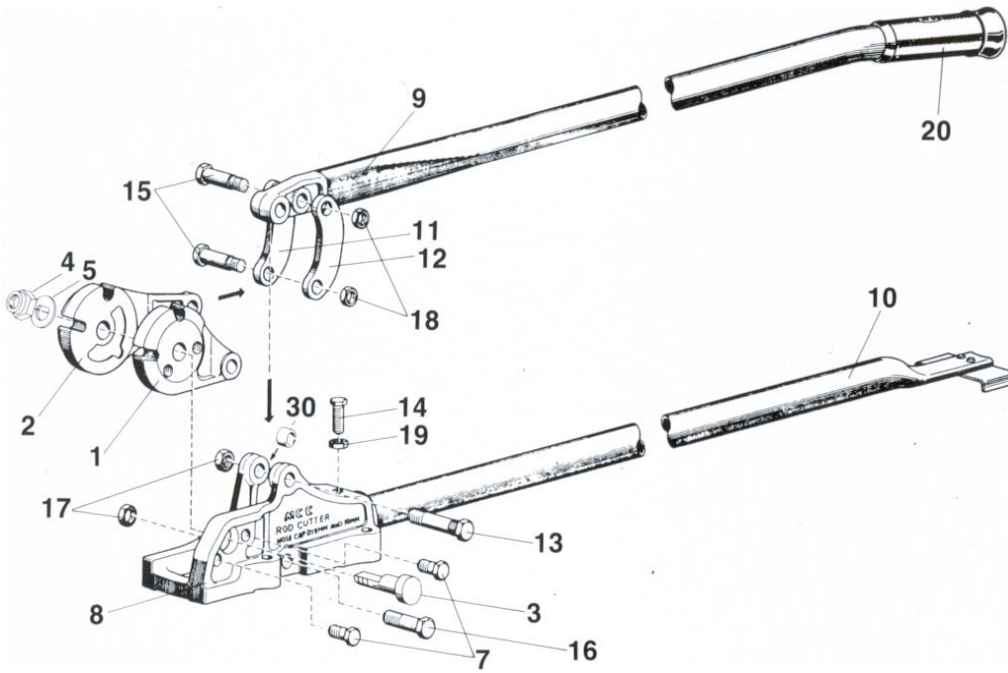


ROD CUTTER

RC-0011-(RC-033)

RC-0021-(RC-034)



No.	Part Name
1	Jaw Blade (Left)
2	Jaw Blade (Right)
3	Center Bolt
4	Nut
5	Washer
6	Pin
7	Jaw Bolt
8	Frame
9	Handle
10	Base Handle with Pedal

No.	Part Name
11	Link (Right)
12	Link (Left)
13	Handle Bolt
14	Lock Bolt
15	Rod Bolt
16	Bolt
17	Lock Nut (1)
18	Lock Nut (2)
19	Hex Nut
20	Grip